



Tubular Backwash Filter

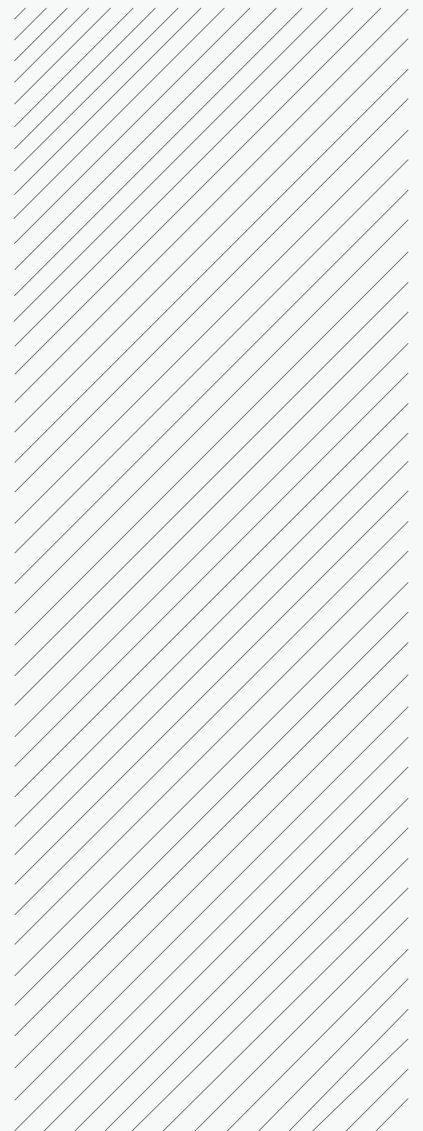
Weave Impossible to Possible



BOEDON Industech Limited

www.boedon.com | sales@boedon.com

BOEDON Brochure



Tubular backwash filter adopts V-shaped wedge wire screens to effectively remove solid particles in fluids and is easy to backwash.

Tubular backwash filter is mainly constructed of V-shaped wedge wire screens. It is installed in tubular backwash filter housings, aiming to remove suspended solid contaminants from various low viscous liquids such as raw water, sewage water, gasoline and diesel. It purifies the fluid and protects the downstream key equipment, and is widely used in the backwash filters in petrochemical, water treatment and other fluid filtration applications.

Tubular backwash filters are made of stainless steel, Monel and other alloys. We can choose the right filter material to perfectly match up with your applications according to your filtration environments.

Tubular Backwash Filter

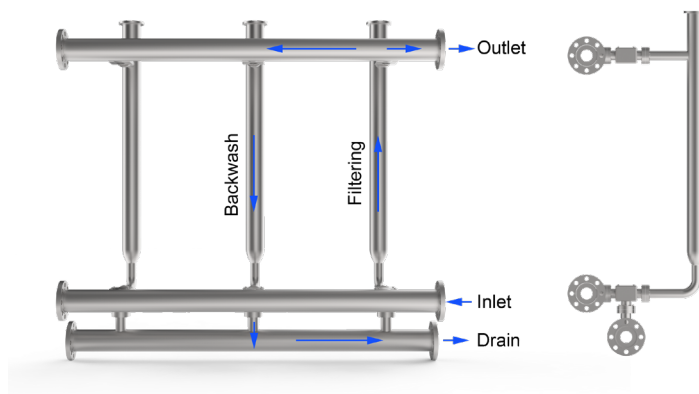


TUBULAR BACKWASH FILTER

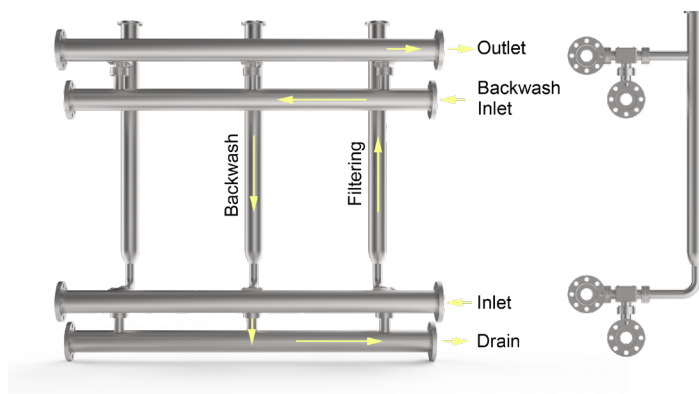
Working Principle

Two or more tubular backwash filters are generally connected for continuous operation. The fluid enters from the filter inlet and impurities in the fluid are trapped on the surface of the filter element, and clean liquid flows out from the filter outlet. When the system reaches the preset pressure value, the backwashing sequence is triggered. At that time, there are 2 backwashing modes for you to choose from. One is internal backwashing mode by using the system's filtrate to clean the inner surface of the filter element from the upper direction, and impurities fall off from the inner surface and are discharged from the drain; The other one is external backwashing mode by introducing external clean water or gas to backwash the filter element. All filter elements are backwashed one by one, and will not interrupt the normal filtration of the fluid.

Internal Backwashing



External Backwashing



TUBULAR BACKWASH FILTER

Specification

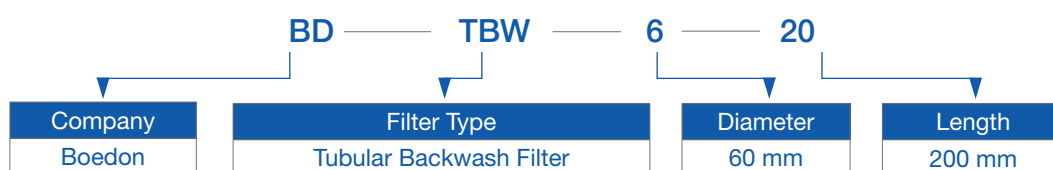
Material: stainless steel: stainless steel (304/316L, etc.), Monel, etc.

Applicable viscosity: < 50 cps

Filter rating: 50–2000 µm

Operating temperature: 0–250 °C

Backwash differential pressure: 70 kPa–130 kPa



Tubular Backwash Filter

Model	Diameter (mm)	Length (mm)	Filter Area (m ²)
BD-TBW-6-20	60	200	0.08
BD-TBW-12-40	120	400	0.30
BD-TBW-18-60	180	600	0.68
BD-TBW-24-80	240	800	1.21
BD-TBW-30-10	300	1000	1.88
BD-TBW-36-120	360	1200	2.71
BD-TBW-42-140	420	1400	3.69
BD-TBW-48-160	480	1600	4.82
BD-TBW-54-180	540	1800	6.10
BD-TBW-60-200	600	2000	7.54

Notes: Other specifications are available upon request.

TUBULAR BACKWASH FILTER

Features & Application

Features

- High strength wedge wire screen
- Highly precise V-shaped slot size, low pressure drop
- Multiple connected for continuous filtration during backwashing
- 2 backwashing mode options
- High filter rating, stable water quality
- Short backwashing period, low water consumption

Application



Water Treatment

- Raw water and process water filtration
- Circulating cooling water filtration, etc.



Oil & Gas

- Diesel and gasoline filtration
- Naphtha filtration, etc.



Metallurgy

- Hot rolling coolant filtration, etc.
- Cold rolling coolant filtration, etc.



BOEDON Industech Limited

Weave Impossible to Possible



E-Mail: sales@boedon.com

www.boedon.com