



# T Strainer Basket Filter

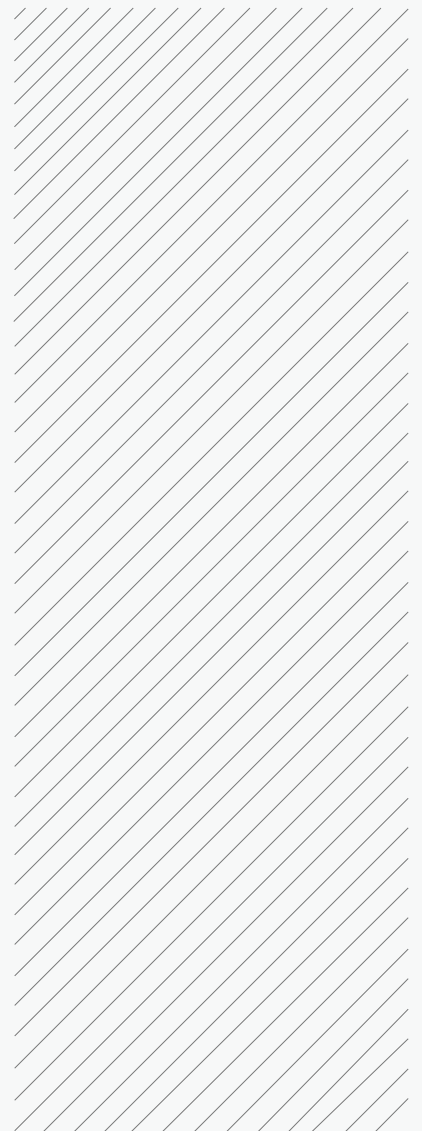
Weave Impossible to Possible



**BOEDON** Industech Limited

[www.boedon.com](http://www.boedon.com) | [sales@boedon.com](mailto:sales@boedon.com)

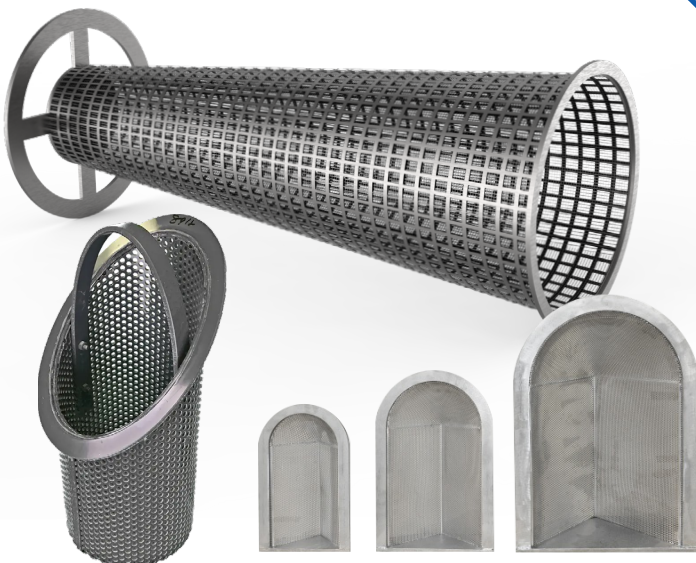
# BOEDON Brochure



## **T strainer basket filter is used to filter out liquid, gaseous and viscous particles.**

T strainer basket filter is manufactured by welding stainless steel perforated metal or woven mesh onto the stainless steel frame. It is generally used in T type strainers to remove impurities from liquids, gases and low viscous fluids. It features great filtration performance, low pressure loss, good corrosion resistance, simple structure and long lifespan. T strainer basket filters are widely used in chemical, petroleum, food, pharmaceuticals, etc.

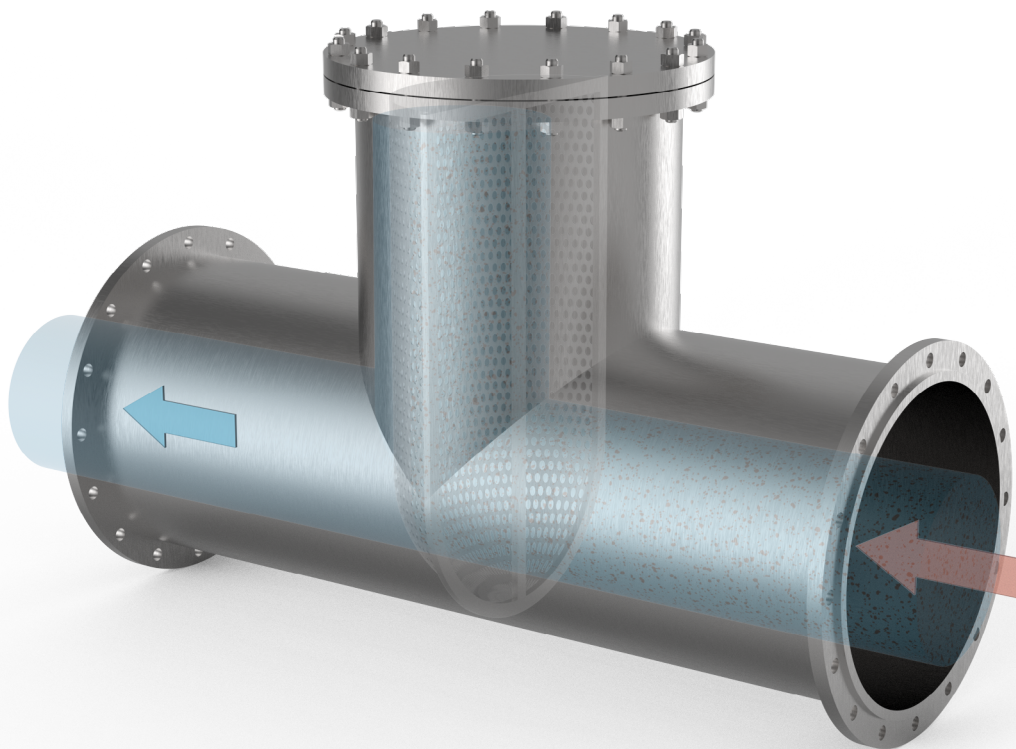
# T Strainer Basket Filter



T STRAINER BASKET FILTER

## Working Principle

When the fluid enters the basket strainer through the main pipe, the particle impurities will be trapped in the T strainer basket filter. The clean filtrate will be discharged from the outlet. The basket filter ensures the normal operation of equipment (including compressors, pumps, etc.) and instruments to realize stable filtration and ensure the safety production. When the basket filter needs cleaning, just take out the detachable basket filter, clean and reload it, and then put it into the main pipe for reuse.

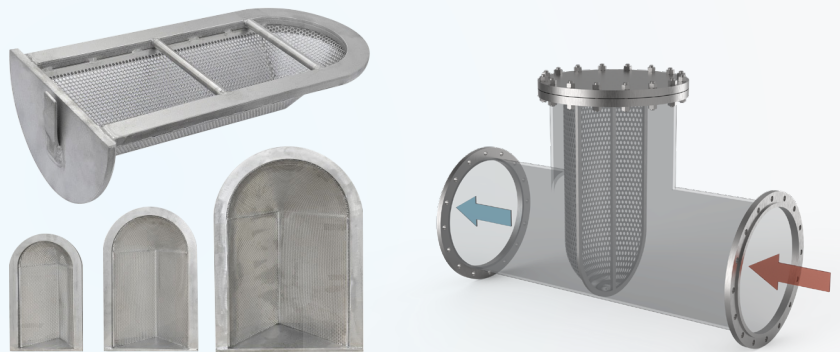
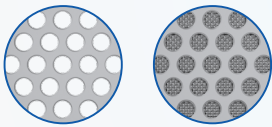


T STRAINER BASKET FILTER

# Category

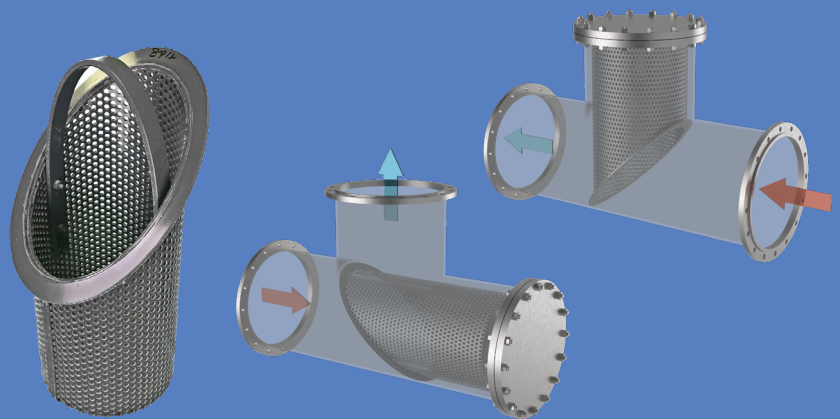
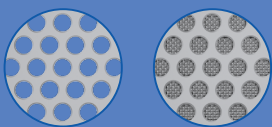
## T Type Basket filter

T type basket filter is installed inside straight flow T type strainer to filter out large particulate impurities.



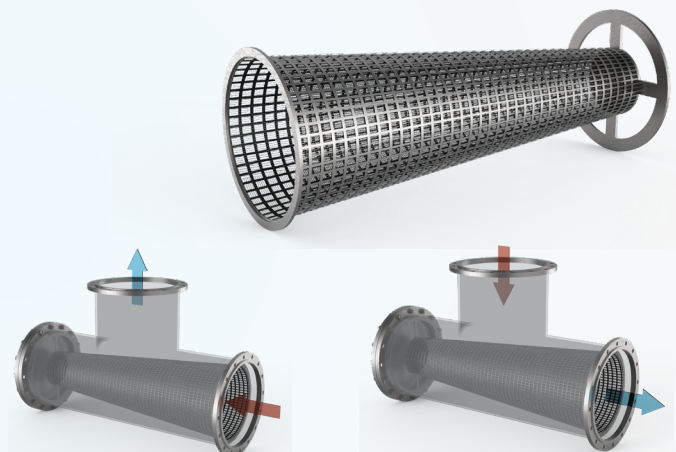
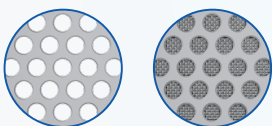
## Slanted Basket Filter

Slanted basket filter can be installed inside both straight flow and right angled flow T type strainers to remove large particulate impurities from the medium.



## Cartridge Filter

Cartridge filter is installed in right angled flow T type strainers to filter out large particulate impurities.



T STRAINER BASKET FILTER

# Specification

**Material:** ss304, ss316, ss304L, ss316L

**Operating temperature:** -10 °C to +400 °C

**Filter rating:** 50 µm – 8000 µm

**Filtration efficiency:** 95%

**Pressure:** 1.0 MPa, 1.6 MPa

**Applicable viscosity:** 1–30000 cp

**Filtration layer:** perforated metal or woven mesh/perforated mesh

### Popular Specifications of Perforated Metal

Model	Hole Size	Length (mm)
BD-TS-P-027	0.027"	10000
BD-TS-P-033	0.033"	10000
BD-TS-P-047	0.047"	10000
BD-TS-P-062	0.062"	10000
BD-TS-P-093	0.093"	10000
BD-TS-P-125	0.125"	10000
BD-TS-P-156	0.156"	10000
BD-TS-P-250	0.250"	10000

**Notes:**

- Other sizes are available upon request.
- Suitable for T type basket strainers, slanted basket strainers and cartridge filters.
- BD stands for Boedon; T represents T strainer basket filter; P stands for perforated metal, and 027 represents perforated metal hole diameter.

### Popular Specifications of Woven Mesh

Model	Mesh Count	Mesh Opening	Open Area
BD-TS-W-20	20 × 20	0.030"	49%
BD-TS-W-30	30 × 30	0.022"	45%
BD-TS-W-40	40 × 40	0.016"	41%
BD-TS-W-60	60 × 60	0.010"	38%
BD-TS-W-80	80 × 80	0.008"	36%
BD-TS-W-100	100 × 100	0.006"	30%

**Notes:**

- Other sizes are available upon request.
- Suitable for T type basket strainers, slanted basket strainers and cartridge filters.
- BD stands for Boedon; T represents T strainer basket filter; W stands for woven mesh, and 20 represents woven mesh count.

T STRAINER BASKET FILTER

# Features & Application

## Features

- Filter liquid, viscous and gaseous media, great filtration effect
- Simple structure, easy to install, remove and maintain
- Reusable after cleaning, reducing the investment costs
- Long service life
- High temperature and high pressure resistance
- Great corrosion resistance, acid and alkali resistance

## Application



### Chemical

- Filtering corrosive materials such as concentrated sulfuric acid, carbonic acid, acetic acid and fatty acid in various chemicals
- Cooling water and wastewater filtration



### Oil & Gas

- Injection water filtration
- Filtering weak corrosive substances in oil products
- Filtering impurities from natural gas



### Food

Filtering impurities from juice, beer and dairy products during production



**BOEDON** Industech Limited

# Weave Impossible to Possible



**E-Mail:** [sales@boedon.com](mailto:sales@boedon.com)

---

[www.boedon.com](http://www.boedon.com)