



# Strengthened Hot Gas Cleaning Filter

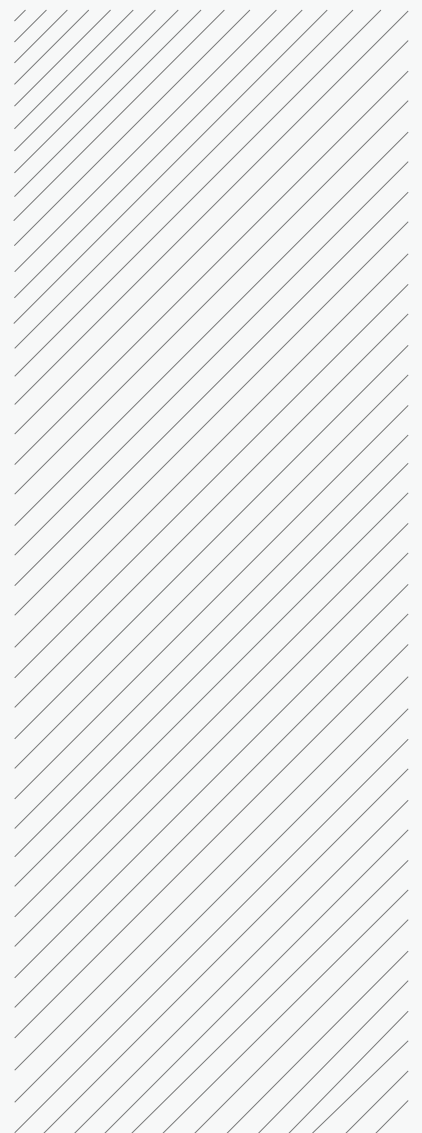
Weave Impossible to Possible



**BOEDON** Industech Limited

[www.boedon.com](http://www.boedon.com) | [sales@boedon.com](mailto:sales@boedon.com)

# BOEDON Brochure

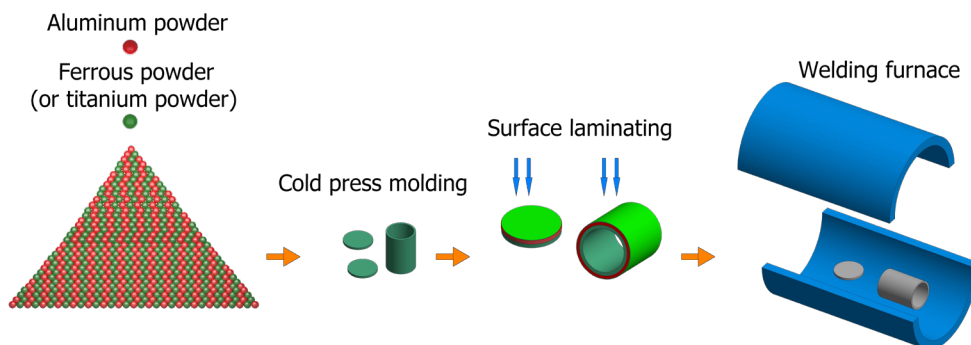


## We offer **strengthened hot gas cleaning filter** with good thermal shock resistance to meet your demands on **hot gas dust removal**.

Strengthened hot gas cleaning filter features large flux, low resistance and fast filtration speed. It can reduce the chemical reaction of organic molecules, reduce the clogging and make the back flush or pulse dust removal much easier. It uses a cage skeleton as a supporting structure to increase its strength. The flange connection design ensures the sealing effect and prevents the leakage.

### Filter Media Production Flow

Generally, FeAl or TiAl is made into metal powder blanks by molding or cold isostatic forming. And then the surface is coated and vacuum sintered.



# Strengthened Hot Gas Cleaning Filter

STRENGTHENED HOT GAS CLEANING FILTER

# Specification

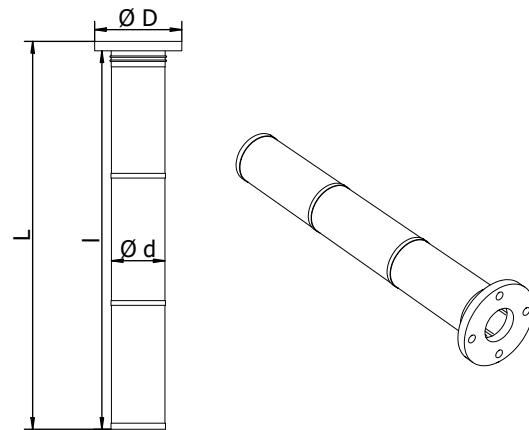
**Working temperature:** 450 °C – 650 °C

**Wall thickness:** 1 mm – 2 mm

**Dust content after filtration:** ≤ 5 mg/Nm<sup>3</sup>

**Retained dust particle size:** ≤ 0.1 μm

**Air permeability:** 100 m<sup>3</sup>/(m<sup>2</sup>·h)



	BD	T	60	150	
Company	Filter Type		Installation Diameter		Total Length
Boedon	Strengthened Hot Gas Cleaning Filter		mm		mm

Popular Specifications of Strengthened Hot Gas Cleaning Filters

Model	Installation Diameter (mm)	Diameter D (mm)	Diameter d (mm)	Total Length L (mm)	Length l (mm)	Filter Area (m <sup>2</sup> )
BD-T-60-150	60	90	56	1500	1466	0.28
BD-T-60-175	60	90	56	1750	1716	0.33
BD-T-60-200	60	90	56	2000	1966	0.38
BD-T-60-225	60	90	56	2250	2216	0.42
BD-T-60-250	60	90	56	2500	2466	0.47
BD-T-60-300	60	90	56	3000	2966	0.57

**Notes:**

- Installation diameter refers to the diameter for filter installed on the installation plate.
- Other specifications are available upon request.

# Features & Application

## Features

- Withstand high temperature ranging from 450 °C to 650 °C.
- High filtration efficiency
- High strength, stable structure
- Make the online dust cleaning easier.
- Excellent resistant to corrosive gases
- Good thermal shock resistance

## Application



### Metallurgy

- Non-ferrous smelting arsenic removal, dust removal and purification, etc.
- High-precision gas-solid separation of high-temperature gases



### Chemical

- Sulfuric acid combustion furnace dust removal
- Combustion finery dust removal and purification, etc.



### Oil & Gas

- Flue gas generated during oil extraction
- Flue gas dust removal in other energy industries



**BOEDON** Industech Limited

# Weave Impossible to Possible



**E-Mail:** [sales@boedon.com](mailto:sales@boedon.com)

---

[www.boedon.com](http://www.boedon.com)