



Basket Filter

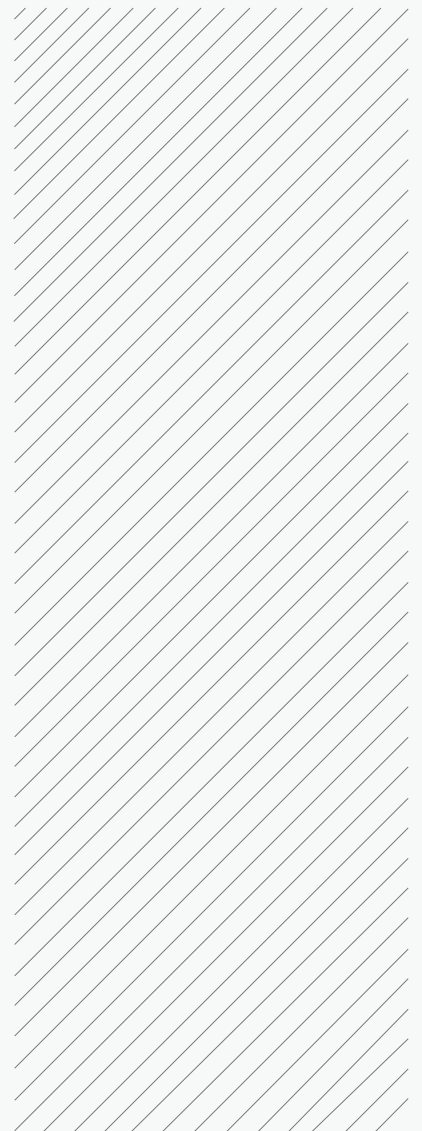
Weave Impossible to Possible



BOEDON Industech Limited

www.boedon.com | sales@boedon.com

BOEDON Brochure



We offer both standard **basket filter and slanted **basket filter** to adapt to **pipeline systems** and achieve **effectively solid impurities removal.****

Basket filter is a filter element made of perforated metal and woven mesh to filter out foreign particles in a horizontal pipeline. It is generally installed the upstream of key equipment such as pumps, control valves, and traps, keeping potential corrosive or damaging debris from making its way down the line. It is widely used in food, beverage, pharmaceuticals and other high quality processing applications.

Basket filters can be made of stainless steel, carbon steel or other alloys. Stainless steel basket filter has excellent corrosion resistance while the rigidity and strength of carbon steel basket filter depend on its carbon content. We can offer customized solutions according to your applications and filtration requirements.

Basket Filter

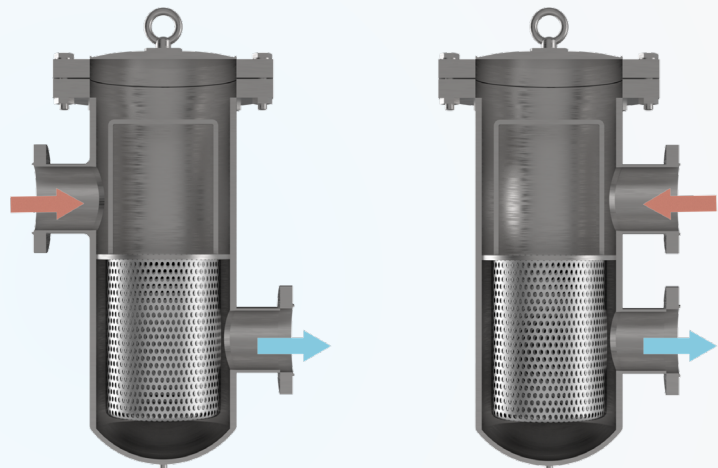


BASKET FILTER

Category

Basket filters are divided into standard basket filters and slanted basket filters. All basket filters are available in various mesh openings and micron ratings. In addition, the holes are perforated in a staggered pattern to maximize the usable surface area of the basket filter. All kinds of basket filter are equipped with a lift-out handle and a solid, flat bottom, featuring high liquid capacity and high flow rate.

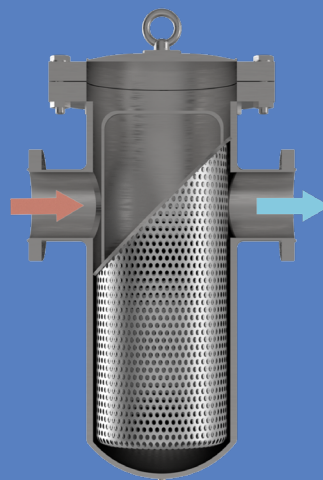
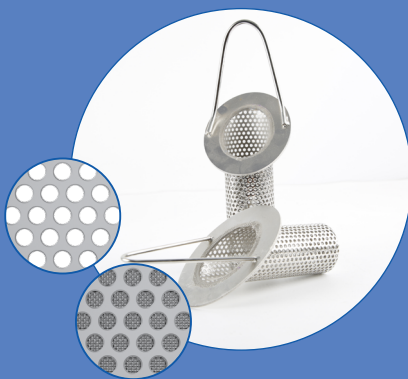
Standard Basket Filter



The working principle of left-in, right-out basket filter

The working principle of right-in, right-out basket filter

Slanted Basket Filter



The working principle of slanted basket filter

BASKET FILTER

Specification

Material: stainless steel (304, 304L, 316, 316L, etc.), carbon steel, other alloy, etc.

Type: standard basket filter, slanted basket filter

Filter media: perforated metal or woven mesh

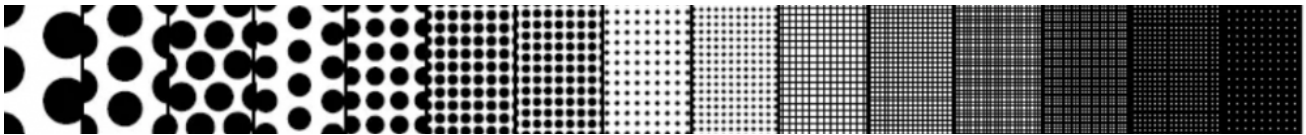
Mesh: 20, 30, 40, 50, 60, 70, 80, 100, 150, 200

Micron line mesh: 40, 90, 160, 250 industry uses; 5, 10, 15, 25 light-duty for special uses.

Perforation hole size: 1/2", 3/8", 1/4", 3/16", 9/64", 3/32", 1/16", 3/64"

Diameter and length: customized upon request.

Perforated metal and woven mesh types:



Popular Specification of Perforated Metal

Model	Diameter		Open Area
	inch	mm	
-			%
BD-PBF-01	1/4"	6.35	40
BD-PBF-02	3/16"	4.76	50
BD-PBF-03	5/32"	3.97	58
BD-PBF-04	1/8"	3.18	40
BD-PBF-05	3/32"	2.38	39
BD-PBF-06	1/16"	1.59	37
BD-PBF-07	3/64"	1.19	36
BD-PBF-08	1/32"	0.79	40
BD-PBF-09	0.027"	0.69	23

Popular Specification of Woven Mesh

Model	Mesh	Mesh Opening (inch)	Open Area (%)
BD-WBF-01	20 × 20	0.035"	49
BD-WBF-02	30 × 30	0.022"	45
BD-WBF-03	40 × 40	0.016"	41
BD-WBF-04	60 × 60	0.010"	38
BD-WBF-05	80 × 80	0.008"	36
BD-WBF-06	100 × 100	0.006"	30

BASKET FILTER

Features & Application

Features

- Low costs, high working efficiency
- Protect pumps, instruments, etc.
- Good filtration effect
- Good corrosion resistance and thermal resistance
- Reusable
- Easy to clean

Application



Chemical

- The filtration of cooling water and wastewater
- The filtration of concentrated dilute sulfuric acid, carbonic acid and other corrosive materials impurities



Oil & Gas

The filtration of weak corrosive impurities in oil products



Food

- Beer, beverage
- The filtration of dairy products



BOEDON Industech Limited

Weave Impossible to Possible



E-Mail: sales@boedon.com

www.boedon.com